



LoRaWAN Operated Low Power Differential Pressure Transmitter for Liquid and Gas Media



- Compatible with all LoRaWAN frequencies
- Wide range of industrial applications
- High accuracy
- Designed to meet outdoor applications
- Long-term durable performance in harsh environment
- Ultra-low power
- Suitable for liquids and gases compatible with SS

TECHNICAL SPECIFICATION

Sensor

• Range	Selectable between 0~0.1 to 25	bar
• Accuracy (combined linearity, hysteresis, repeatability)	±0.25 (typ.)	%Span
• Resolution	±0.01	%Span
• Pressure Reference	Differential	
• Temperature Coefficient of Zero	≤±0.02(range > 1bar), ≤±0.04(range < 1bar)	%FS/°C
• Temperature Coefficient of Span	≤±0.02(range > 1bar), ≤±0.04(range < 1bar)	%FS/°C
• Long Term Stability (1 year)	≤ 0.3	%Span
• Pressure Overload	200 (positive side); 100 (negative side, max 10bar)	%FS
• Pressure Cycles (Zero to Full Scale)	10+	Million
• Compensated Temperature	0 ~ +60	°C

Power

• Power Supply	Built-in Replaceable Lithium Battery, External Power (option)	
• Rated Voltage	3.6	V
• Battery Lifetime	100,000+ readings and 20,000+ transmission (More than 10 years for most applications)	

Physical

• Materials	O-ring: Viton, Body: SS304, Diaphragm: SS316, Oil: Silicon / Olive, Enclosure: ASA/POM	
• Process Connection	G1/4 Male (or others on request)	
• Weight	550	g
• Protection Rate	IP66, UV Protected	

Communication

• LoRaWAN® Version, Class	1.0.2revB, Class A (Class C on request)	
• LoRaWAN® Frequency Zone	AS923, EU868, US902-928, AU915-928 (other zones available on request)	
• LoRaWAN® Activation Type	OTA (default), ABP	
• Sampling Type	Periodic (default), Event triggered	
• Sampling Period	Configurable via downlink (default 4 hours)	
• Transmission Type	Per sample (default), Event triggered, Conditional	

-
- Parameter Configuration Over-the-air via LoRaWAN® downlinks
Locally via wireless connectivity
 - Firmware Update Locally via Wireless Connectivity, Over The Air
-

NETWORK CONNECTION AND VISUALISATION

Network Integration

- Integratable to all main networks (Actility, Alibaba, Cisco, Digita, Everynet, Helium, Kerlink, kpn, Lorient, machine-Q, Objenious, Orange, Orbiwise, Proximus, Senet, Sens, Swisscom, TATA, The Things Network (TTN), TTI and any other network)

Visualisation And Data Management

- Ellenex white label microservice platform, and Integratable to all main IIoT platforms directly or through the api (AWS, Azure, PTC ThingWorx, Bosch IoT, Cisco Jasper & Kinetic, Sierra Numerex, MathWorks, ThingSpeak, GE Digital Predix, LandisGyr, Siemens MindSphere, Cumulocity, myDevices, Ubidots, TagIO, ALSO AllThingsTalk, HPE IoT and any other major IoT platform).

Ellenex Platform Main Features

- Encrypted ultra-low power communication protocol
- Advanced device inventory
- Integration APIs for enterprise systems
- Multi-tenant role-based access control
- Data export and import
- White-label platform for enterprise runs on private account
- Variable alarm setting for high and low thresholds and multi-channel alerting
- Sampling and transmission interval configuration
- Transmission condition configuration
- Other configurations and customisation available on request



Encrypted & ultra-low power



Integratable



Dynamic alerting



Multi-tenant


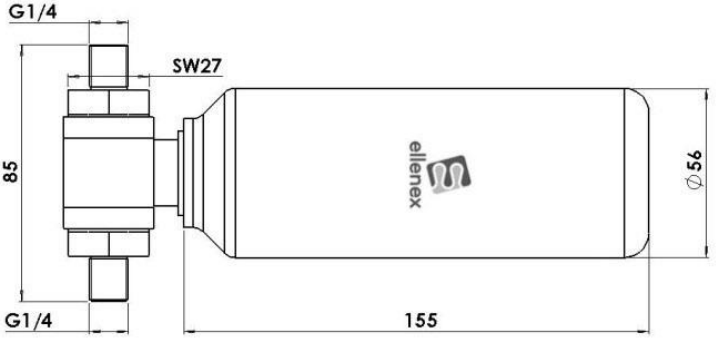


Scalable



Composable & API first

MODEL GUIDE

Model	Option / Schematic
<p data-bbox="124 443 255 477">C Model</p> 	

INDUSTRIES



Water & Environment



Agriculture & Farming



Oil & Gas



Marine & Oceanography



Mining & Construction



Smart Building & HVAC



Transport & Logistics



Food & Beverage



Hydraulics and Compressed Air Systems

APPLICATIONS

- Pump Performance Monitoring
- Water Pipeline Pressure Monitoring
- Pressurised System Monitoring
- Chiller and Cooling System Monitoring
- Hydraulic and Pneumatic Systems Monitoring
- Closed Liquid Storage Level Monitoring
- Spraying System Monitoring
- Air Compressor Monitoring

ORDERING CODE

PDS2-L									
LoRaWAN Frequency Zone									
AS (AS923)		AUx (AU915-928) <small>(Sub Band x)</small>			EU (EU868)		USx (US902-928) <small>(Sub Band x)</small>		
LoRaWAN Activation									
A (Over The Air Activation - OTAA)					P (Activation By Personalization - ABP)				
Pressure Range									
0.1, 0.35, 0.5, 1, 2, 4, 6, 10, 15, 20, 25bar <small>(or any other non-standard ranges)</small>									
Process Port									
G1/4: ¼" BSPP Male			G1/2: ½" BSPP Male			NPT1/4: ¼" NPT Male			
Other options available on request									
Enclosure									
C5: Cylindrical					Other options available on request				
Device Activation									
S: With On/Off Switch					X: No Switch <small>(Always On)</small>				
Antenna Option									
E: External					I: Internal				
Options <small>(On request)</small>									
PDS2-L	AS	A	1bar	G1/4	C5	X	E		

Sample Product Code:

- PDS2-L-AS-A-1bar-G1/4-C5-S-E**

LoRaWAN® differential Pressure sensor operated, frequency of AS923, Over The Air Activated, measurement range of 1bar, process connection of G1/4, without on-off switch (always on) and external antenna